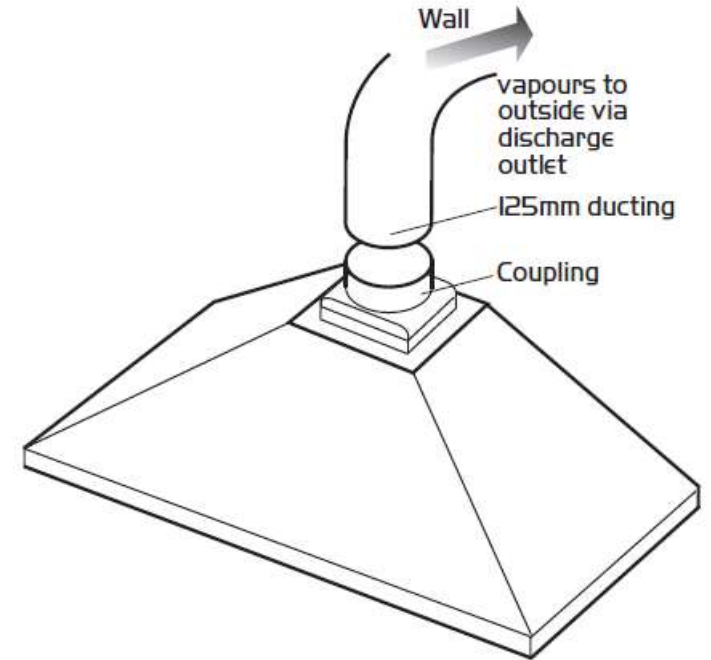




COOKERHOODC-SS

High Performance Extract Fan



Code Description appliance: COOKERHOODC-SS
Code Description Carbon filter: CKRH-CF (Pair)

2.0 Dimensions

Fig.1.

